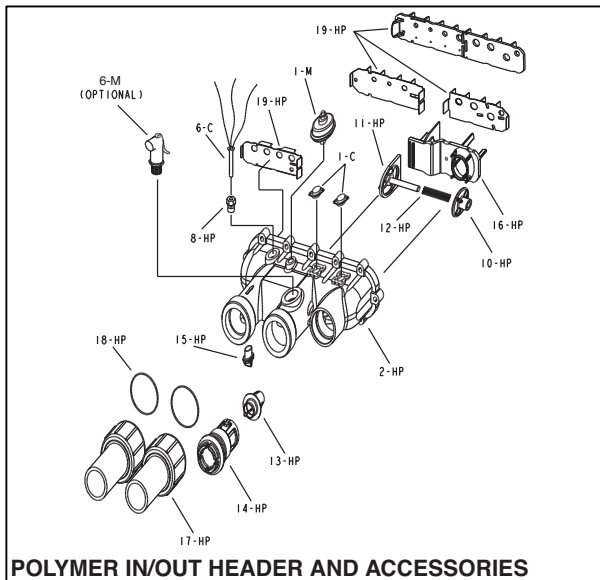
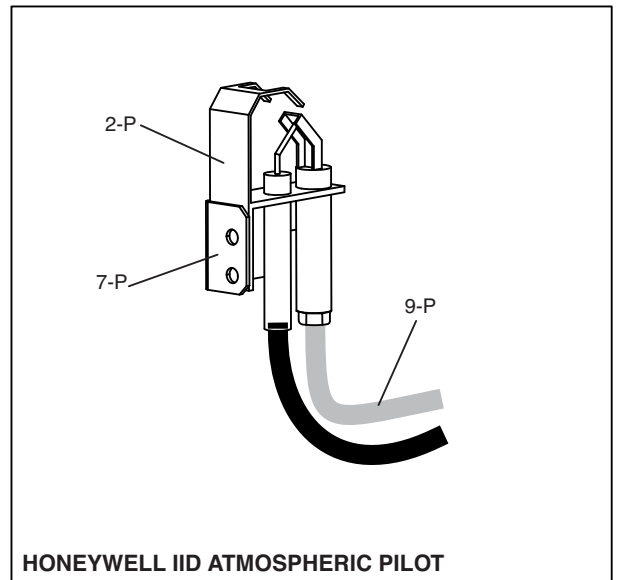


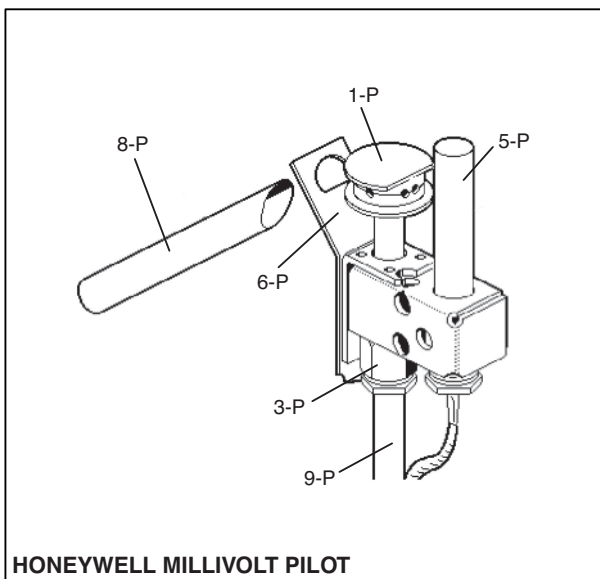
↑ FOR UNITS WITH ASME METAL HEADERS ↑



POLYMER IN/OUT HEADER AND ACCESSORIES



HONEYWELL IID ATMOSPHERIC PILOT



HONEYWELL MILLIVOLT PILOT